

Spare Parts List

GARUDAN[®]

GC-1315-143 E-LM



ANITA B, s.r.o.

Hliníky 2068

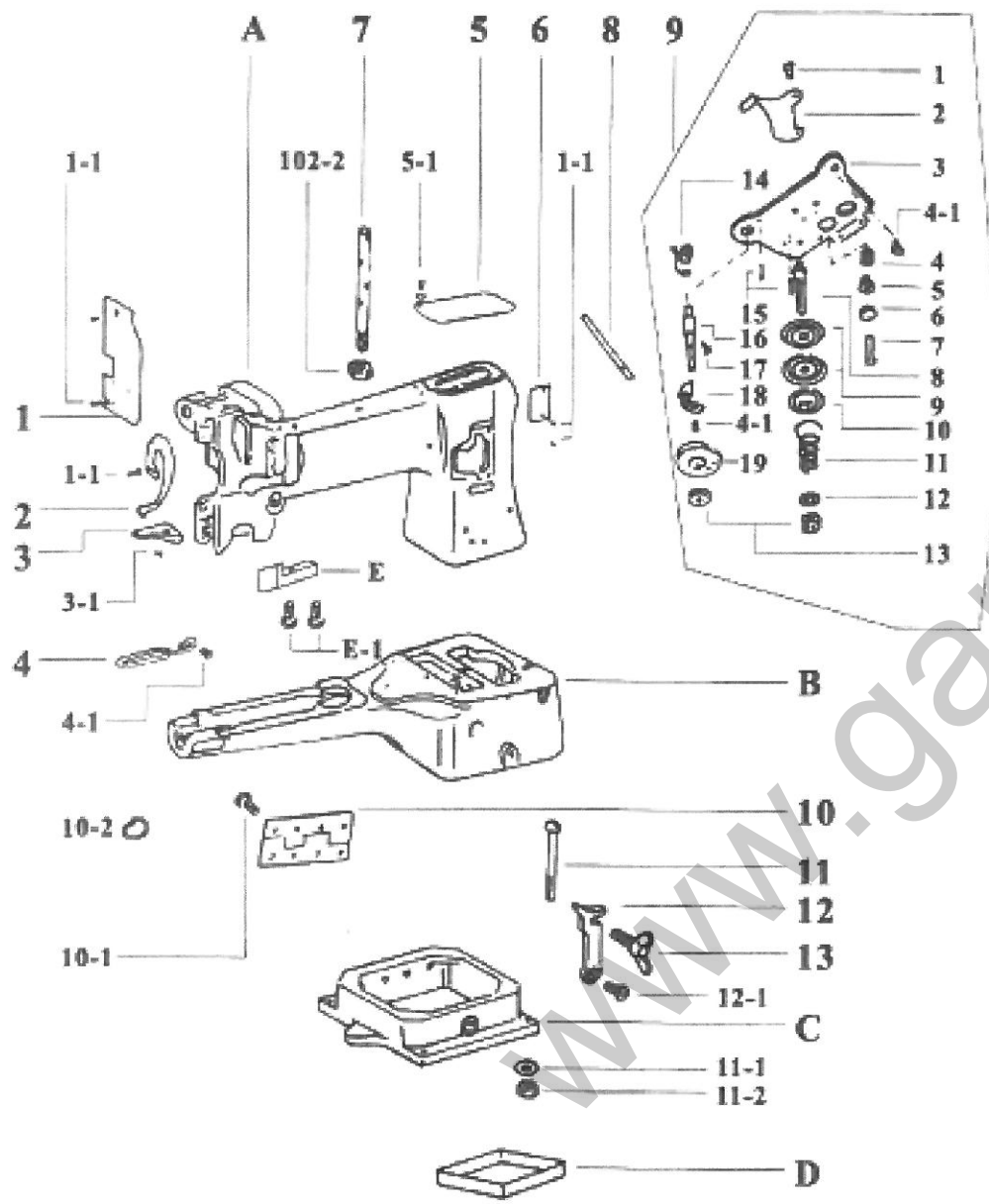
680 01 Boskovice

Czech Republic

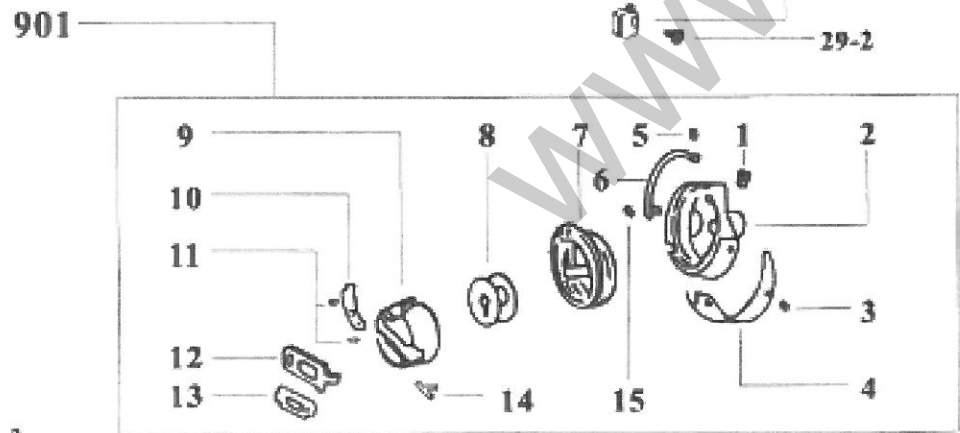
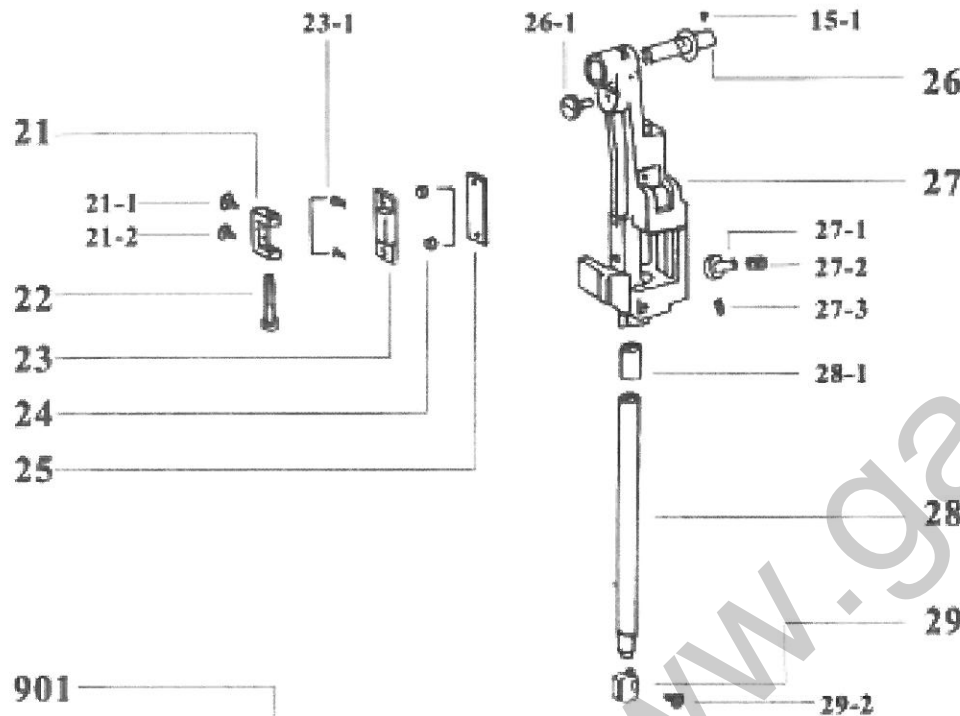
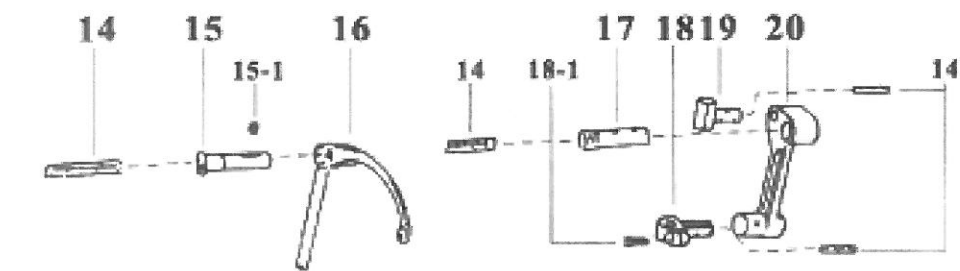
tel: +420 516 454 774, 516 453 496

fax: +420 516 452 751

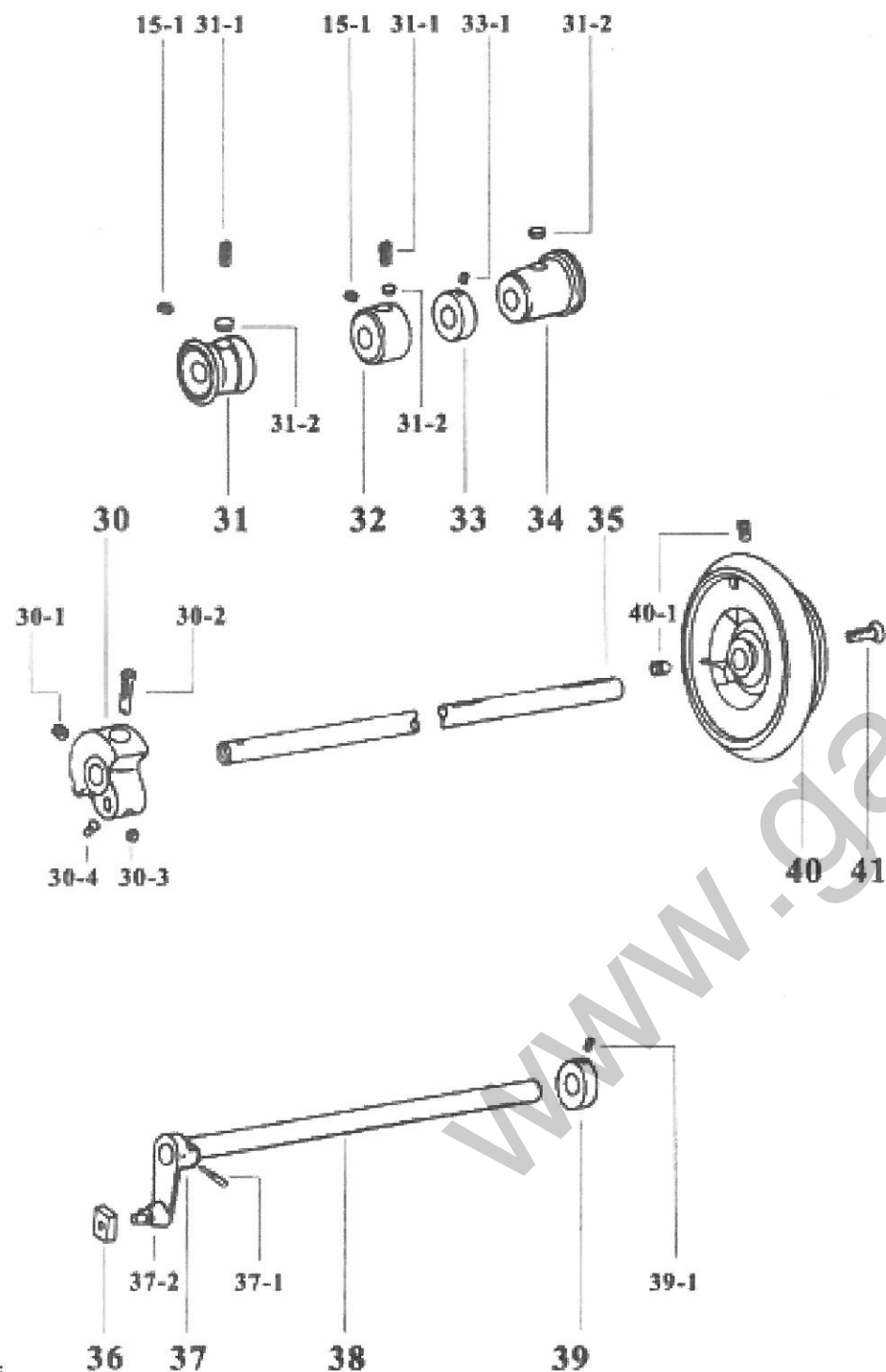
e-mail: info@anita.cz



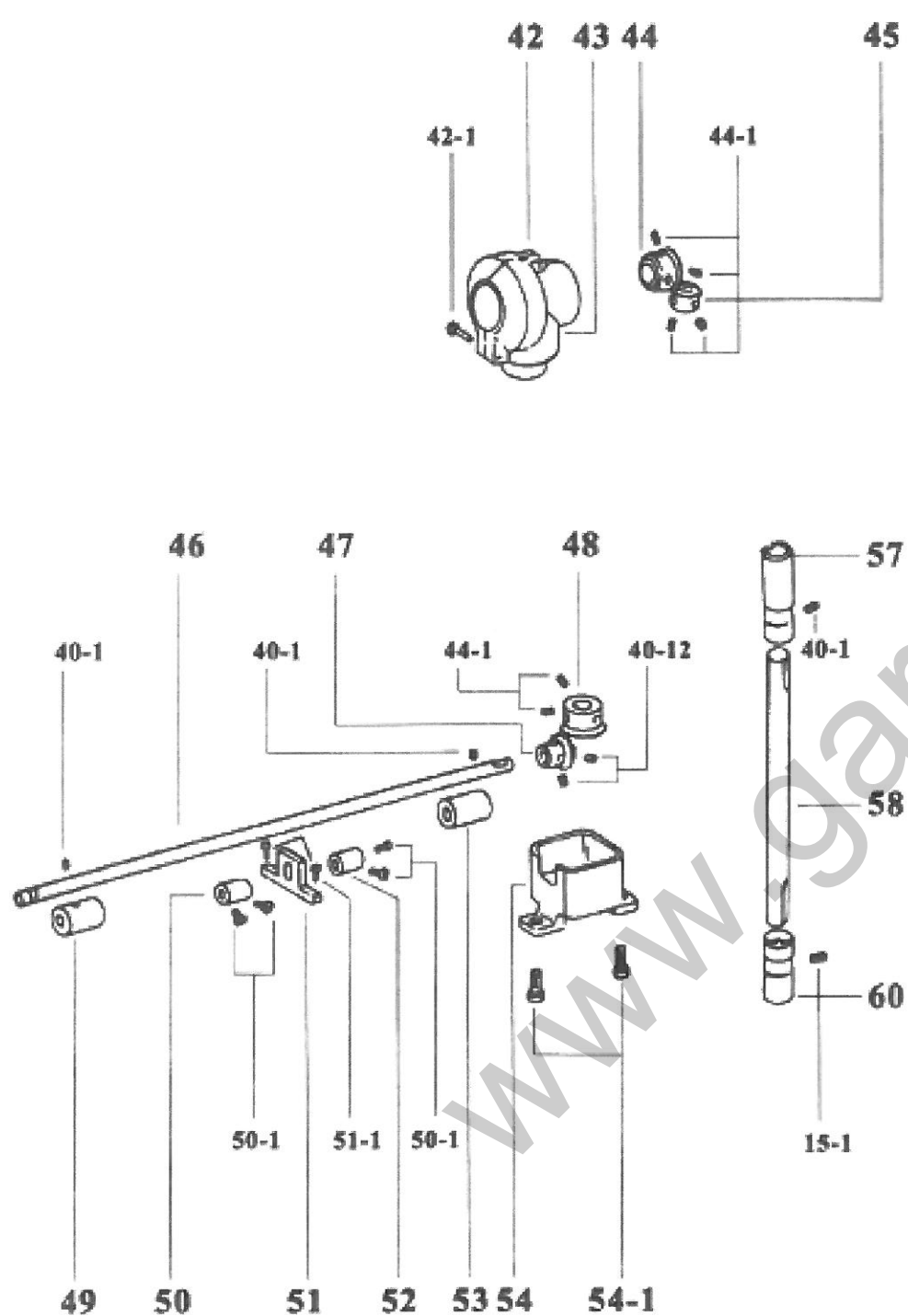
- 1 FACE PLATE
- 1-1 FASTENING SCREW
- 2 TAKE-UP LEVER COVER
- 3 THREAD GUIDE UPPER
- 3-1 FASTENING SCREW
- 4 THREAD GUIDE
- 4-1 FASTENING SCREW
- 5 ARM COVER UPPER
- 5-1 FASTENING SCREW
- 6 ARM COVER FRONT
- 7 TENSION COMPLETE SET
- 7-1 NUT
- 8 TENSION RELEASE PIN
- 9 TENSION COMPLETE
- 9-14 SUSPENSION WIRE SPRING
- 9-18 ADJUSTMENT BOARD
- 10 HINGE
- 10-1 FASTENING SCREW
- 10-2 SPRING
- 11 FASTENING SCREW
- 11-1 CUSHION
- 11-2 NUT
- 12 LINK
- 12-1 FASTENING SCREW
- 13 FASTENING SCREW
- A GEAR END
- B DOWN BASE
- C FOUR MAO BASE
- D TANK
- E BLOCKING BOARD
- E-1 BOLT
- 102-2 NUT



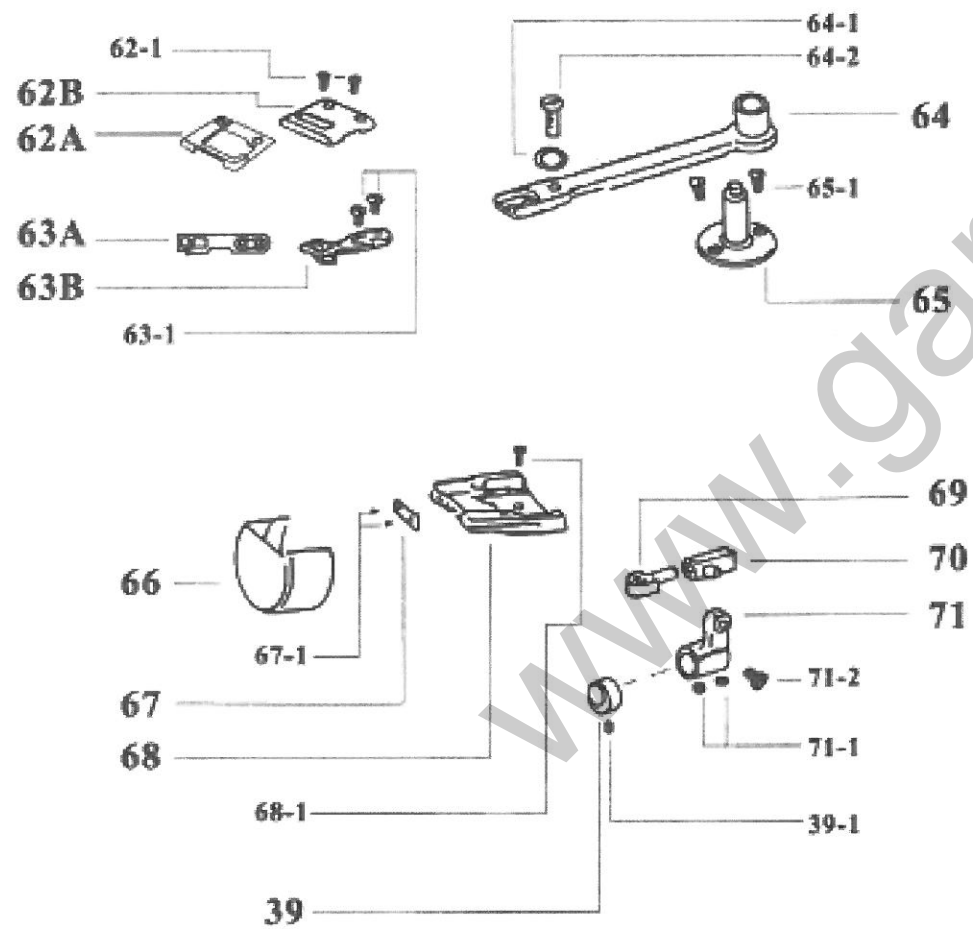
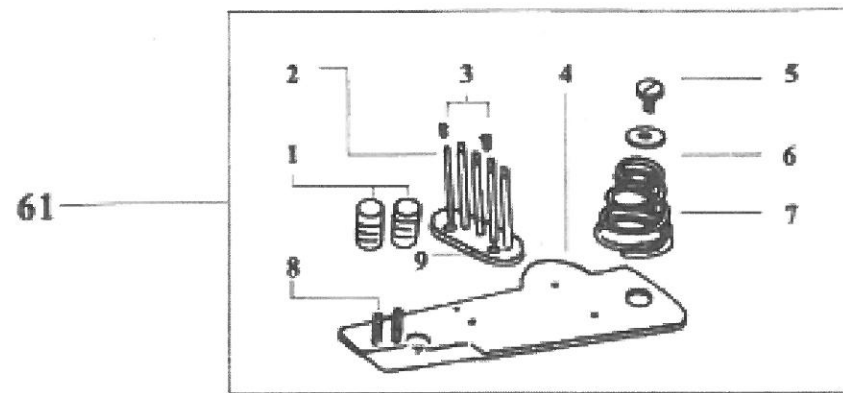
- 14 WICK
- 15 LIBRA TIP
- 15-1 SCREW
- 16 THREAD TAKE-UP LIBRA
- 17 NEEDLE BAR LINK HINGE STUD
- 18 NEEDLE BAR STUD
- 18-1 FASTENING SCREW
- 19 TAKE-UP SLEEVE FULCRUM STUD
- 20 FLEX HANDLE
- 21 SLIDE BLOCK
- 21-1 FASTENING SCREW
- 21-2 FASTENING SCREW
- 22 FASTENING SCREW
- 23 LEAD SEATS
- 23-1 FASTENING SCREW
- 24 COLLAR
- 25 NEEDLE BAR GUIDE PLATE
- 26 NEEDLE BAR FRAME
- 26-1 FASTENING SCREW
- 27 NEEDLE BAR FRAME
- 27-1 NEEDLE BAR FRAME STOP
- 27-2 CENTER SCREW
- 27-3 CENTER SCREW
- 28 NEEDLE BAR
- 28-1 NEEDLE COLUMN BASE SLEEVE PIPE
- 29 SPRING
- 29-2 FASTENING SCREW
- 901 HOOK COMPLETE



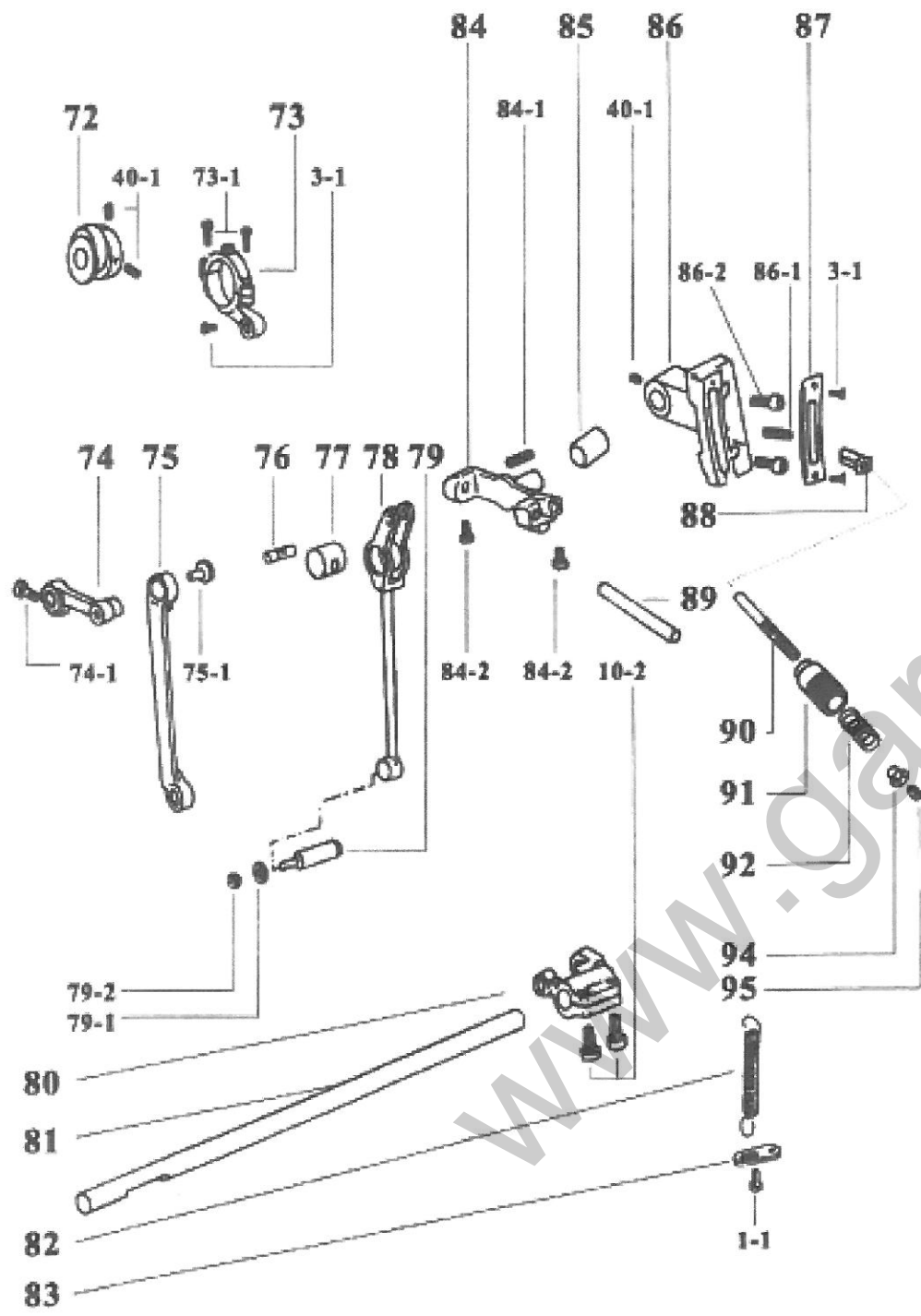
- 30 ARM SHAFT CRANK
- 30-1 FASTENING SCREW
- 30-2 FASTENING SCREW
- 30-3 FASTENING SCREW
- 30-4 SCREW
- 31 ARM SHAFT BUSHING FRONT
- 31-1 FELT
- 31-2 WICK
- 32 FELT
- 33 BEVEL GEAR CASING CAP COLLAR
- 33-1 FASTENING SCREW
- 34 ARM SHAFT BUSHING BACK COVER
- 35 ARM SHAFT
- 36 SLIDE BLOCK
- 37 BENDED PIN IN FRONT OF WAVING THE AXLE
- 37-1 OBLIQUE TIP
- 37-2 WAVE AND SLIP ONE PIN
- 38 THE NEEDLE WAVES THE AXLE EXCELLENTLY
- 39 SET COLLAR
- 39-1 FASTENING SCREW
- 40 BALANCE WHEEL
- 40-1 FASTENING SCREW
- 41 FASTENING SCREW



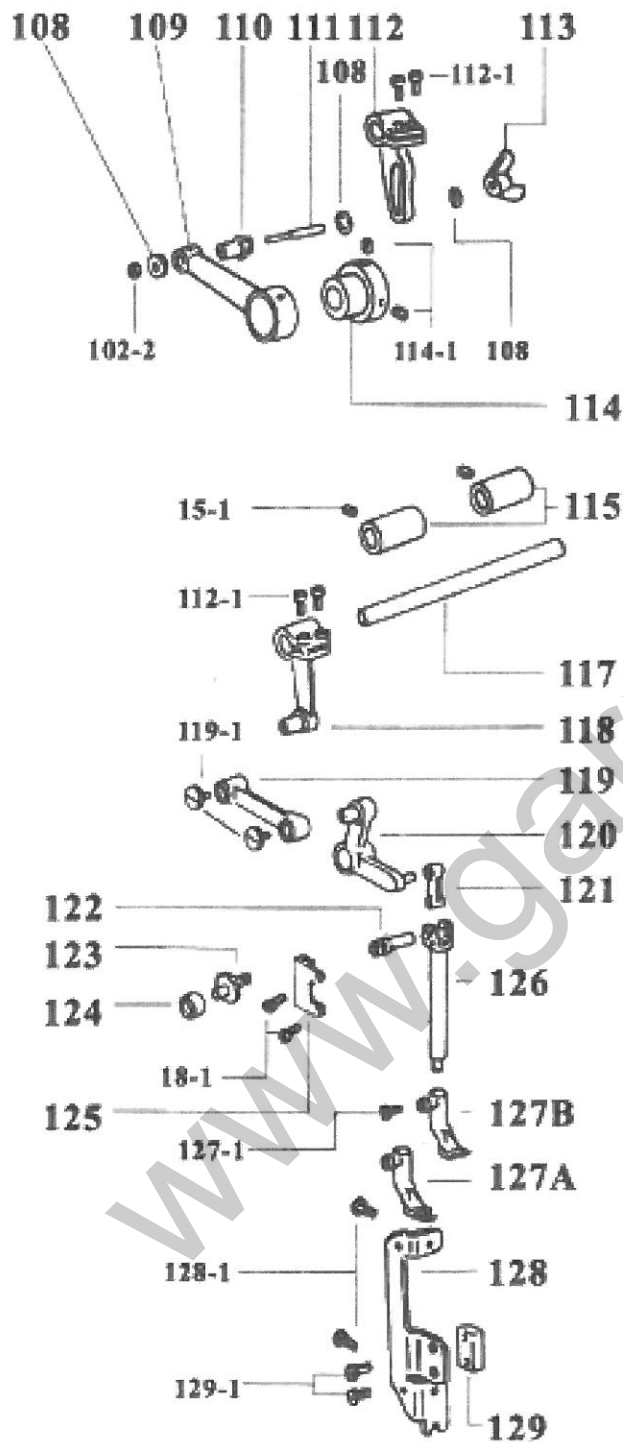
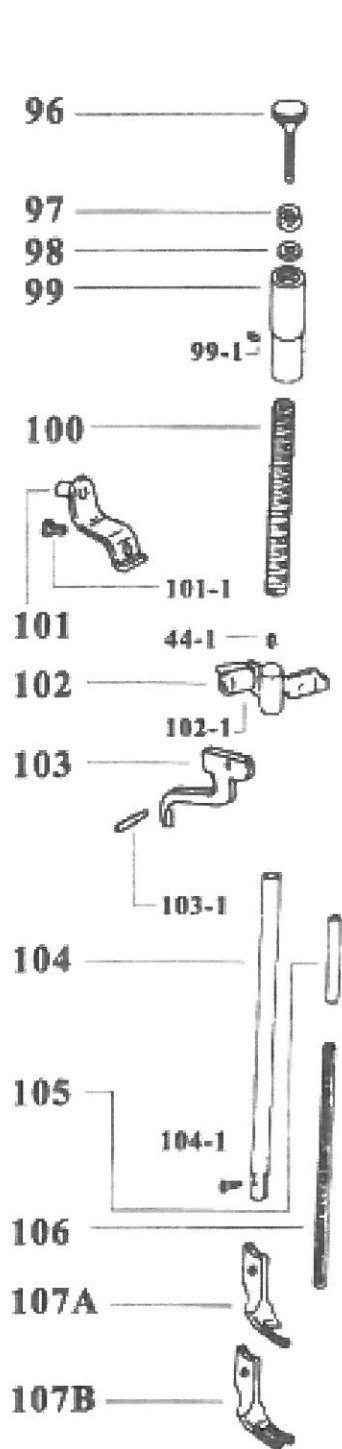
- 42 BEVEL GEAR CASING COMPLETE
- 42-1 SCREW
- 43 BEVEL GEAR CASING COMPLETE
- 44 GEAR SET
- 44-1 FASTENING SCREW
- 45 GEAR SET
- 46 HOOK DRIVING SHAFT
- 47 GEAR SET
- 47-1 SCREW
- 48 GEAR SET
- 49 FRONT SLEEVE FOR HOOK SHAFT
- 50 DOWN SHAFT COLLAR
- 50-1 FASTENING SCREW
- 51 HOOK SHAFT BASE
- 51-1 FASTENING SCREW
- 52 DOWN SHAFT COLLAR
- 53 KISS COVER AFTER PUTTING THE AXLE
- 54 BEVEL GEAR CASING UNDER
- 54-1 SCREW
- 57 BEVEL GEAR SHAFT BUSHING VERTICAL UPPER
- 58 BEVEL GEAR SHAFT VERTICAL
- 60 BEVEL GEAR SHAFT BUSHING VERTICAL UPPER



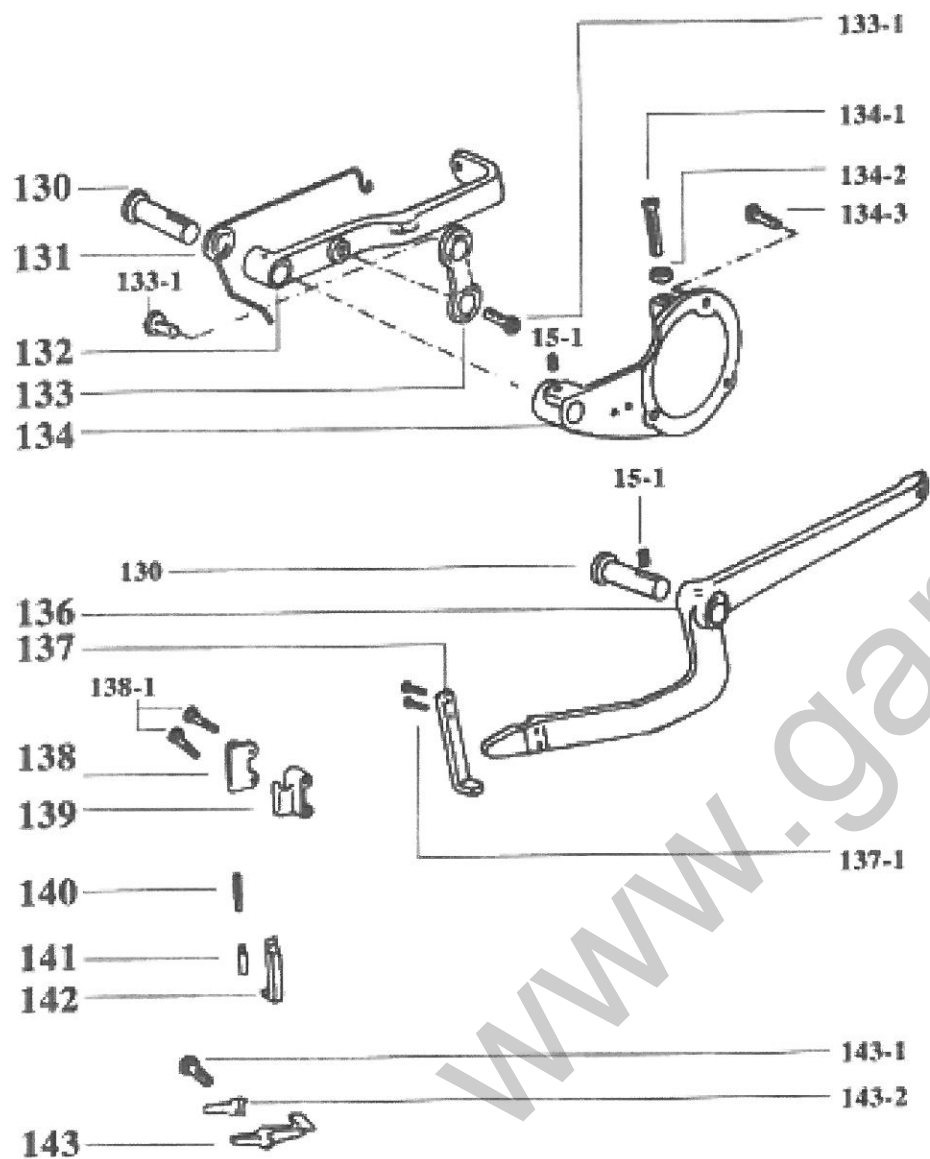
- 61 GAUGE PLATE SET
- 61-1 NUT
- 61-2 FABRIC SUPPORT POLE
- 61-3 SCREW
- 61-4 FIXTURE BOARD
- 61-5 SCREW
- 61-6 CUSHION
- 61-7 SPRING
- 61-8 SCREW
- 61-9 FABRIC SUPPORT PLATE
- 62-1 FASTENING SCREW
- 62A NEEDLE PLATE
- 62B NEEDLE PLATE
- 63-1 FASTENING SCREW
- 63A TUBAEFORM TOOTH
- 63B PLANEFORM TOOTH
- 64 FEEDING ROCKER
- 64-1 CUSHION
- 64-2 BOLT
- 65 FEEDING PLATE SHAFT
- 65-1 FASTENING SCREW
- 66 HOOK COVER
- 67 NEEDLE EGIS SUPPORT
- 67-1 SCREW
- 68 NEEDLE BORAD BASE
- 68-1 SCREW
- 69 FEEDING SLIDE VALVE
- 70 SLIDE VALVE BASE
- 71 FEEDING DRIVER
- 71-1 FASTENING SCREW
- 71-2 FASTENING SCREW



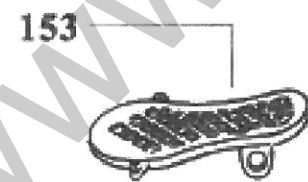
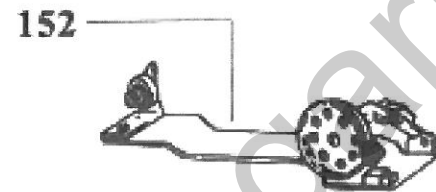
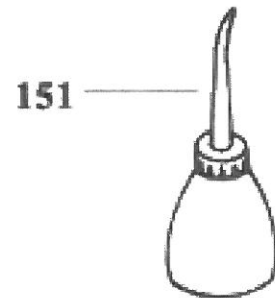
- 72 PARTIAL FEEDING CAM
- 73 DRIVER ROD
- 73-1 SCREW FOR DRIVER ROD
- 74 BACK FLEX HANDLE
- 74-1 FASTENING SCREW
- 75 CONNECTION POLE
- 75-1 FASTENING SCREW
- 76 FLEX SHAFT END
- 77 SLIPPERY SET
- 78 FORK CONNECTION POLE
- 79 FEEDING CONNECTION END
- 79-1 CUSHION
- 79-2 FASTENING SCREW
- 80 FLEX POLE
- 81 FEEDING SHAFT
- 82 SPRING FOR FEEDING CONTROL
- 83 SPRING BASE
- 84 SLIPPERY SET BASE
- 84-1 EXTENSION SPRING SCREW
- 84-2 FASTENING SCREW
- 85 COVER
- 86 CONTROL BASE FOR NEEDLE DISTANCE
- 86-1 SPRING FOR FEEDING CONTROL
- 86-2 FASTENING SCREW
- 87 SCALE PLATE
- 88 LEAD SET FOR FEEDING CONTROL
- 89 SLIPPERY SHAFT
- 90 CONTROL SHAFT
- 91 HANDLE CONTROL FOR NEEDLE DISTANCE
- 92 SPRING
- 94 NUT
- 95 SCREW



- 96 BOLT FOR TENSION CONTROL
- 97 SCREW CAP
- 98 SPRING TRAY
- 99 PRESS ROD SLEEVE PIPE
- 99-1 BOLT
- 100 PRESS ROD SPRING (FLAT)
- 101 SHOULDER POLE STAND (PACKAGE)
- 101-1 FASTENING SCREW FOR
- 102 PRESSER BAR GUIDE COLLAR
- 102-1 CONNECTION BOLT
- 102-2 NUT
- 103 LIFTING HANDLE
- 103-1 LIFTING HANDLE END
- 104 PRESSER BAR
- 104-1 SCREW
- 105 SPRING PRESSER POLE
- 106 SPRING
- 107A OUTER PRESSER FOOT
- 107B FLAT PRESSER FOOT
- 108 WASHER
- 109 UP FEEDING POLE DRIVER
- 110 CONNECTION BOLT FOR UP FEEDING
- 111 ROCKER ARM
- 112 UP FEEDING ROCKER ARM
- 112-1 FASTENING SCREW
- 113 FASTENING SCREW
- 114 PARTIAL WHEEL
- 114-1 SCREW
- 115 BUSHING
- 117 UP FEEDING SHAFT
- 118 UP FEEDING ROCKER
- 119 UP FEEDING CONNECTING ROD
- 119-1 FASTENING SCREW
- 120 TRIANGULAR ROCKER ARM
- 121 SHAKING CONNECTION ROD
- 122 PRESS POLE TIP
- 123 CONNECTION GUIDE POST
- 124 ROLLER
- 125 PRESS POLE LEADING BASE
- 126 PRESS SHAFT
- 127-1 SCREW
- 127A ESCORT THE FOOT IN THE SHAPE OF THE LOUDSPEAKER
- 127B PRESS THE FOOT INSIDE
- 128 FIXTURE BOARD
- 128-1 SCREW
- 129 FIXTURE SLIP
- 129-1 FASTENING SCREW



130	LEVER PIVOT
131	SPRING
132	SHORT LEVER
133	CONNECTING ROD OF THE LEVER
133-1	LEVER SCREW
134	BACK CASE LID
134-1	SCREW
134-2	NUT
134-3	SCREW
136	LONG LEVER
137	CLIVER
137-1	FASTENING SCREW
138	GUIDE SEAT
138-1	SCREN
139	BOLT PIN SEAT
140	BOLT PIN SPRING
141	BOLT PIN
142	SLIPPREY BOARD
143	SHAKING BOARD
143-1	SCREW
143-2	SHRAPNEL



144

BIG OPENER

145

MIDDLE OPENER

146

SMALL OPENER

147

SHUTTLE

148

NEEDLE

149

DUSTPROOF COVER

150

ACCESSORY BOX

151

DIL BOAT

152

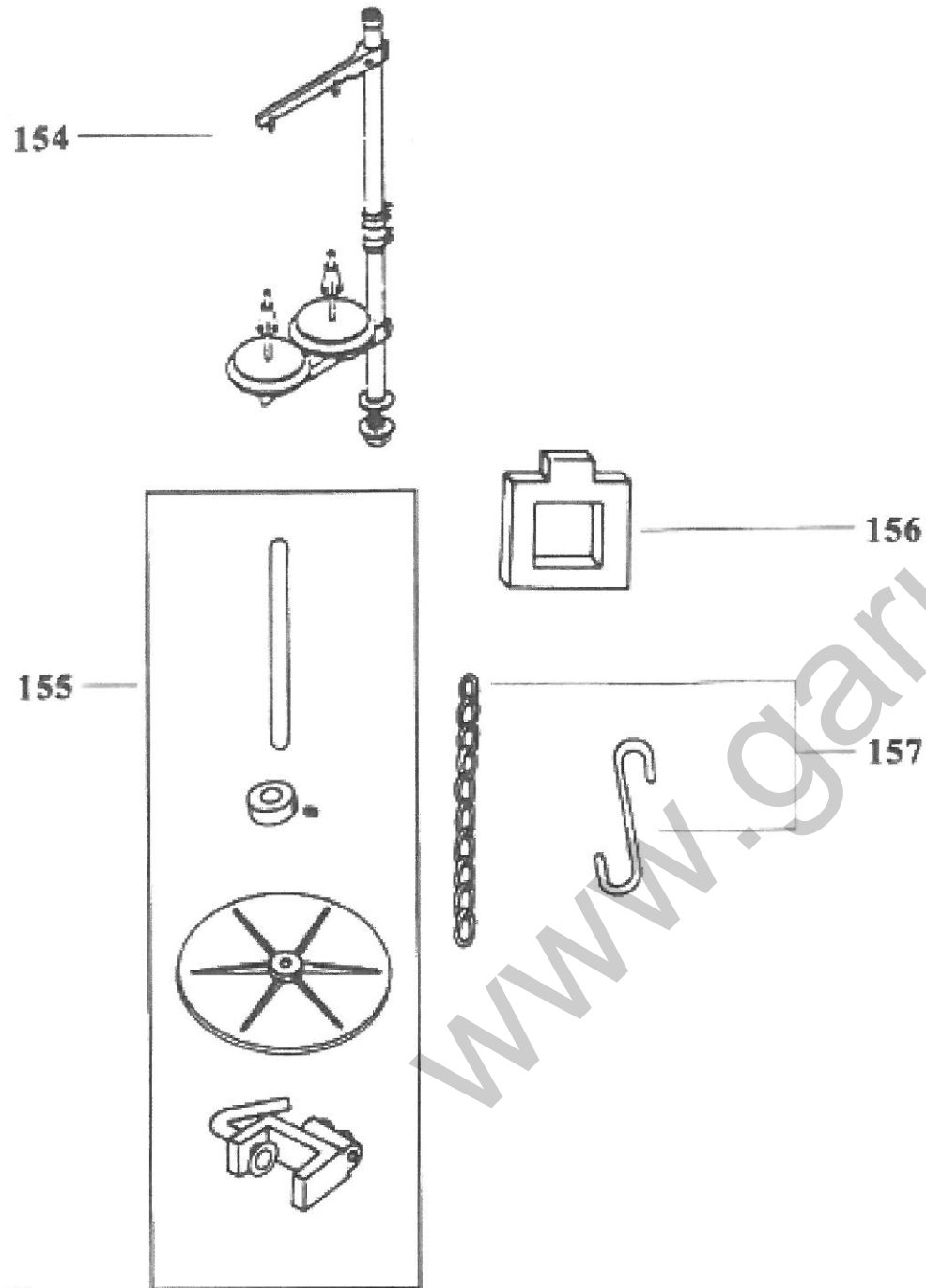
FEEDING LINE IMPLEMENT

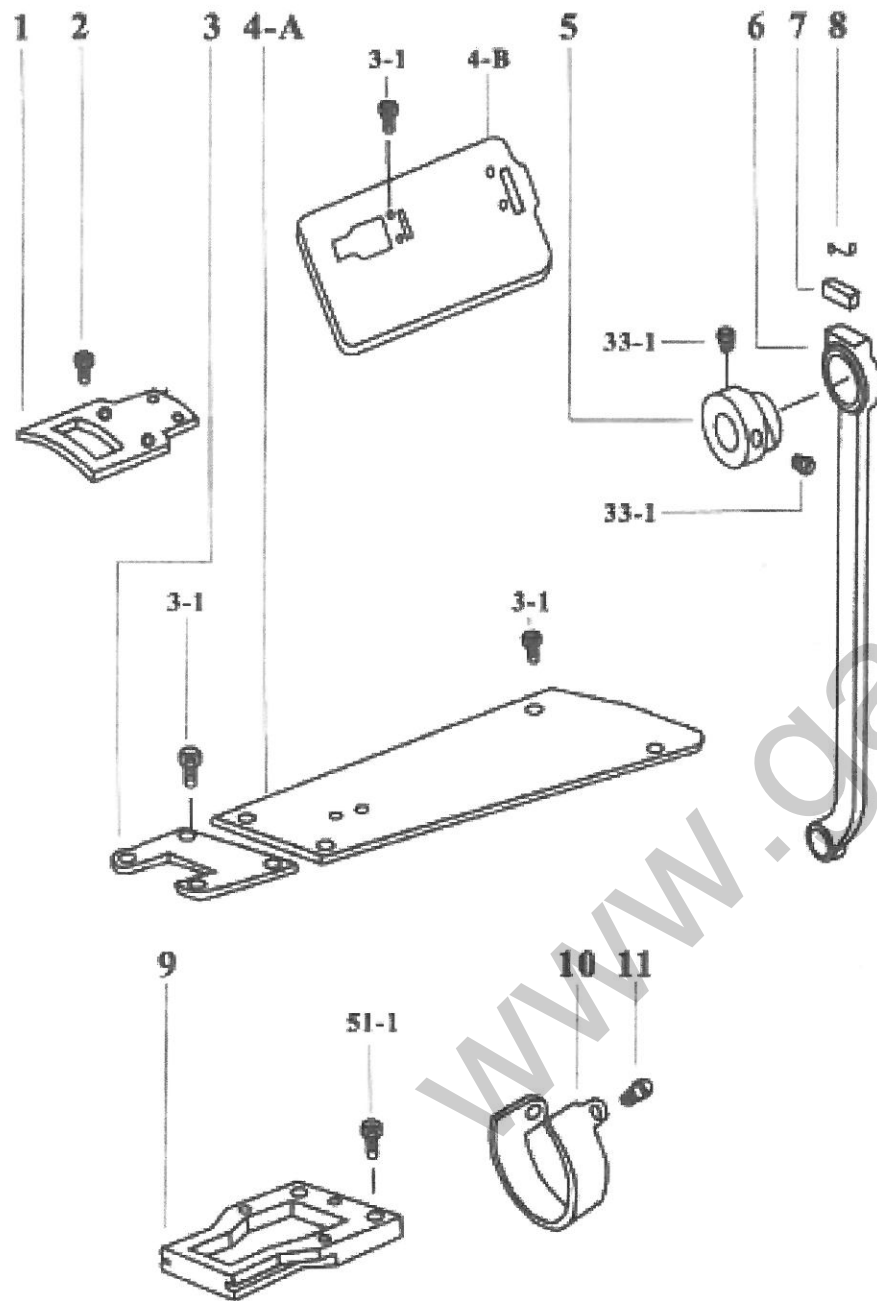
153

IRON SHOE

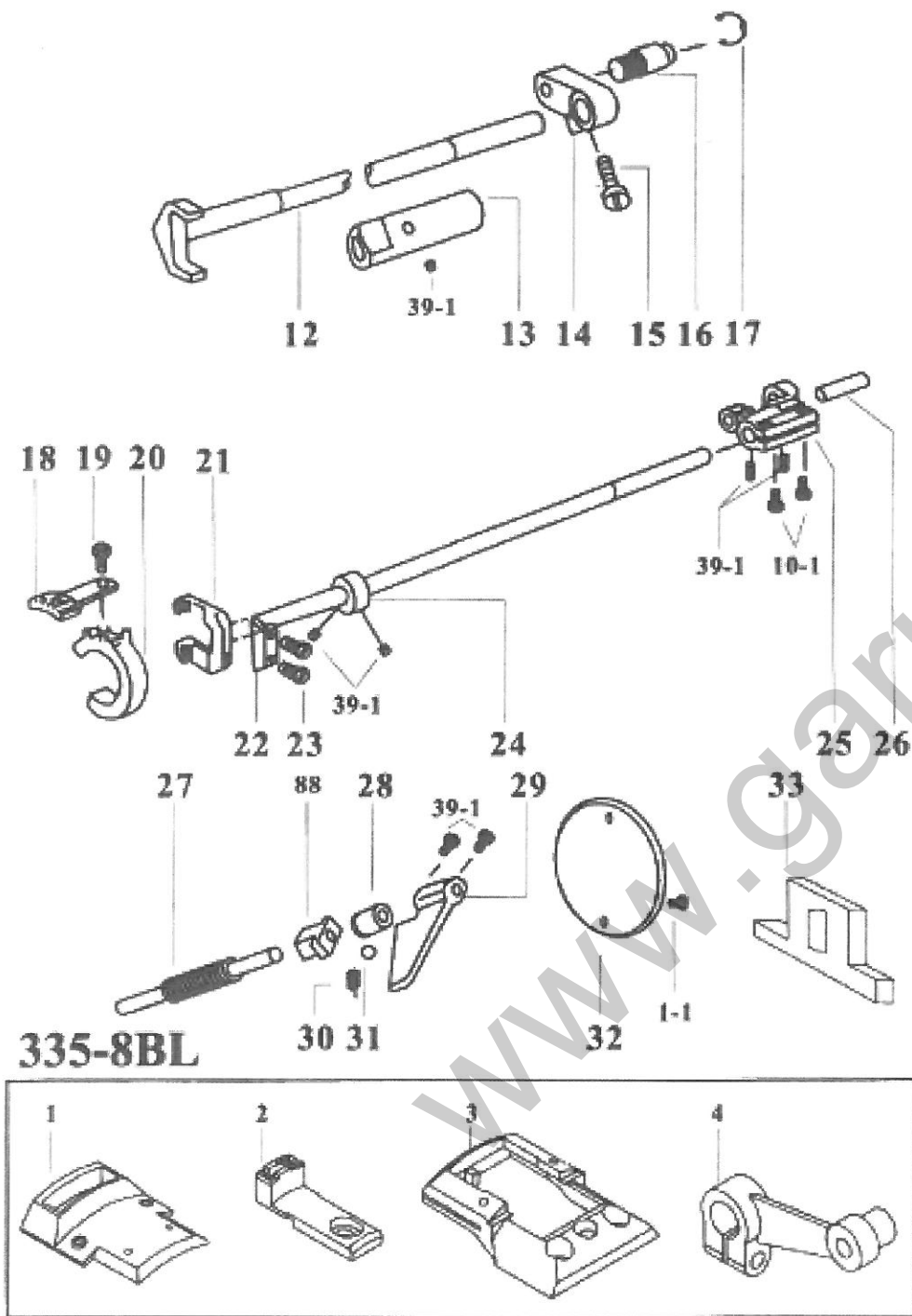
154
155
156
157

LINE TWO SHELF OF THE MODEL L
THREAD TRAY
RUBBER CUSHION
CHAIN & CHAIN HOOK





- 1 NEEDLE PLATE
- 2 SCREW
- 3 FIXTURE PIECE FOR NEEDLE PLATE BASE
- 3-1 SCREW
- 4-A SMALL EGIS COVER
- 4-B BIG EGIS COVER
- 5 CONVEXITY WHEEL
- 6 CONNECTION POLE
- 7 WICK
- 8 SPRING
- 9 NEEDLE PLATE BASE
- 10 EGIS PIECE FOR HOOK
- 11 SCREW
- 33-1 SCREW
- 51-1 SCREW



- 1-1 SCREW
- 10-1 SCREW
- 12 SHORT FEEDING SHAFI
- 13 DOWN SHAFT BUSHING
- 14 FEEDING DRAWING POLE
- 15 SCREW
- 16 CONNE CTION POLE TIP
- 17 BUCKLE PING
- 18 FEEDING TOOTH
- 19 SCREW
- 20 FEEDING TOOTH BASE
- 21 TEEDING SUPPORT
- 22 TIXTURE PIECE FOR FEEDING SUPPORT
- 23 SCREW
- 24 COLLAR
- 25 FLEX HANDLE
- 26 FLEX TIP
- 27 SCREW
- 28 NUT
- 29 HANDLE
- 30 SPRING
- 31 STEEL BALL
- 32 PREVENTION BOARD
- 33 FIXTURE SUPPORT
- 39-1 SCREW
- 1 NEEDLE PLATE
- 2 FEEDING PLATE
- 3 NEEDLE PLATE BASE
- 4 BACK PART